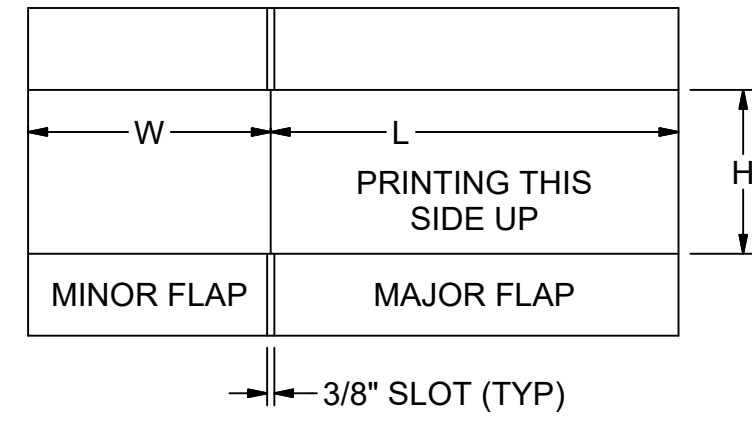


CASE ORIENTATION FOR FALLAS MODEL CE-400 RIGHT HAND CASE ERECTOR



STANDARD SPECIFICATIONS FOR CE400 TAPE
 ELECTRICAL: 120 VAC, 1 PH, 60 HZ, FUSED AT 15 AMP
 MOTORS: 1/2 HP
 CONTROLS: AB MICRO 1400
 OIT: SCHNEIDER ELECTRIC 3" TOUCHSCREEN COLOR
 AIR: 1/2" INLET, 5 CFM, AT 80 PSI
 TAPE HEAD: DEKKA 22 SENTRY 4

STANDARD SPECIFICATIONS FOR CE400 GLUE
 ELECTRICAL: 480 VAC, 3 PH, 60 HZ, FUSED AT 10 AMP
 MOTORS: 1/2 HP
 CONTROLS: AB MICRO 1400
 OIT: SCHNEIDER ELECTRIC 3" TOUCHSCREEN COLOR
 AIR: 1/2" INLET, 5 CFM, AT 80 PSI

GLUE UNIT - SEPARATE DROPS: NORDSON PRO-BLUE
 ELECTRICAL: 480 VAC, 3PH, 60HZ, 10 AMP FUSED
 AIR: 1/2" INLENT 0.5 CFM AT 80PSI

STANDARD CASE SIZE RANGE
 LENGTH MIN = 10 MAX = 24
 WIDTH = 6 = 16
 HEIGHT* = 4 = 12

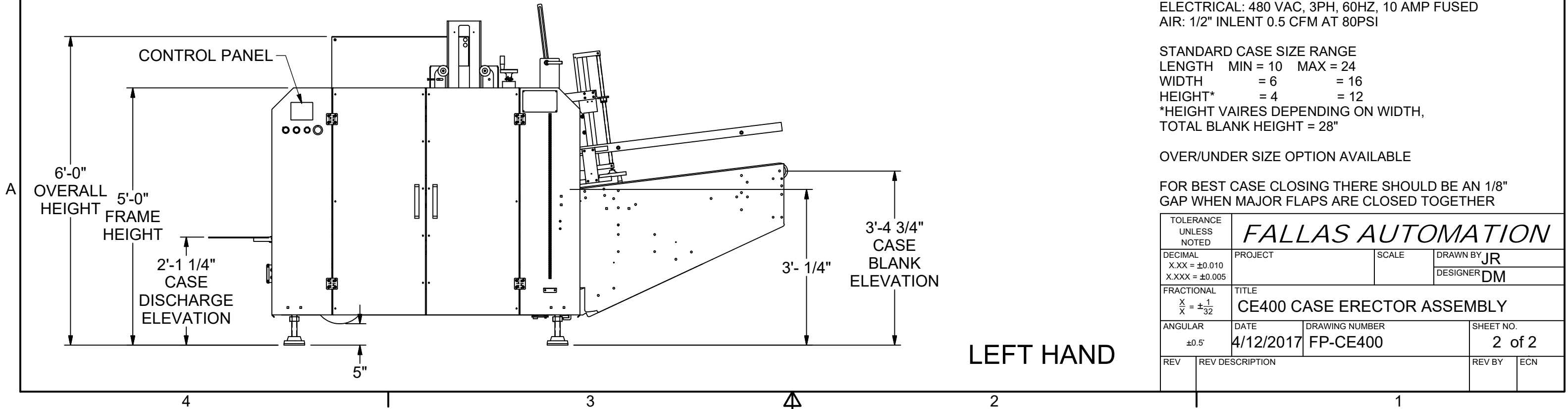
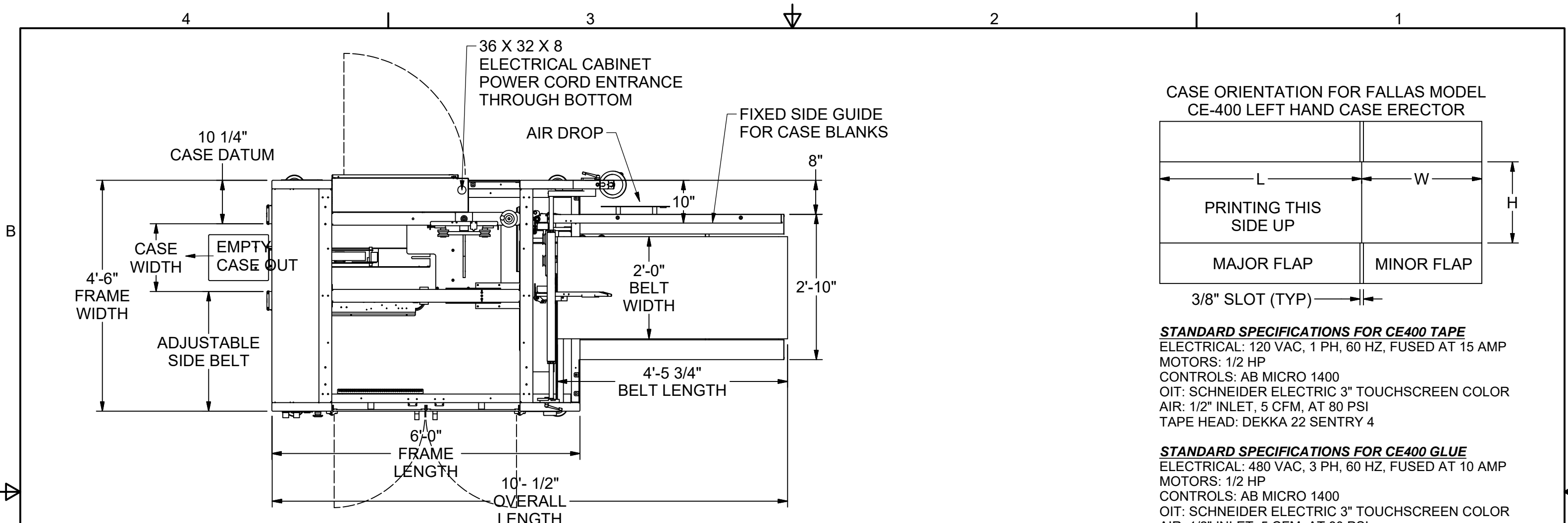
*HEIGHT VAIRES DEPENDING ON WIDTH,
 TOTAL BLANK HEIGHT = 28"

OVER/UNDER SIZE OPTION AVAILABLE

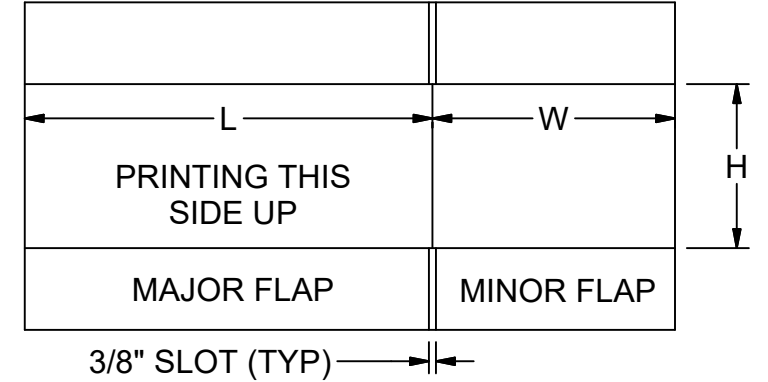
FOR BEST CASE CLOSING THERE SHOULD BE AN 1/8"
 GAP WHEN MAJOR FLAPS ARE CLOSED TOGETHER

RIGHT HAND

TOLERANCE UNLESS NOTED		FALLAS AUTOMATION	
DECIMAL X.XX = ±0.010 X.XXX = ±0.005	PROJECT BATCH 31	SCALE	DRAWN BY JR DESIGNER JR
FRACTIONAL $\frac{X}{X} = \pm \frac{1}{32}$	TITLE CE400 CASE ERECTOR ASSEMBLY		
ANGULAR ±0.5°	DATE 5/5/2015	DRAWING NUMBER FP-CE400	SHEET NO. 1 of 2
REV	REV DESCRIPTION		REV BY ECN



CASE ORIENTATION FOR FALLAS MODEL CE-400 LEFT HAND CASE ERECTOR



STANDARD SPECIFICATIONS FOR CE400 TAPE
 ELECTRICAL: 120 VAC, 1 PH, 60 HZ, FUSED AT 15 AMP
 MOTORS: 1/2 HP
 CONTROLS: AB MICRO 1400
 OIT: SCHNEIDER ELECTRIC 3" TOUCHSCREEN COLOR
 AIR: 1/2" INLET, 5 CFM, AT 80 PSI
 TAPE HEAD: DEKKA 22 SENTRY 4

STANDARD SPECIFICATIONS FOR CE400 GLUE
 ELECTRICAL: 480 VAC, 3 PH, 60 HZ, FUSED AT 10 AMP
 MOTORS: 1/2 HP
 CONTROLS: AB MICRO 1400
 OIT: SCHNEIDER ELECTRIC 3" TOUCHSCREEN COLOR
 AIR: 1/2" INLET, 5 CFM, AT 80 PSI

GLUE UNIT - SEPARATE DROPS: NORDSON PRO-BLUE
 ELECTRICAL: 480 VAC, 3PH, 60HZ, 10 AMP FUSED
 AIR: 1/2" INLENT 0.5 CFM AT 80PSI

STANDARD CASE SIZE RANGE
 LENGTH MIN = 10 MAX = 24
 WIDTH = 6 = 16
 HEIGHT* = 4 = 12
 *HEIGHT VAIRES DEPENDING ON WIDTH,
 TOTAL BLANK HEIGHT = 28"

OVER/UNDER SIZE OPTION AVAILABLE

FOR BEST CASE CLOSING THERE SHOULD BE AN 1/8" GAP WHEN MAJOR FLAPS ARE CLOSED TOGETHER

TOLERANCE UNLESS NOTED		FALLAS AUTOMATION	
DECIMAL X.XX = ±0.010 X.XXX = ±0.005	PROJECT	SCALE	DRAWN BY JR DESIGNER DM
FRACTIONAL $\frac{X}{X} = \pm \frac{1}{32}$	TITLE CE400 CASE ERECTOR ASSEMBLY		
ANGULAR ±0.5°	DATE 4/12/2017	DRAWING NUMBER FP-CE400	SHEET NO. 2 of 2
REV	REV DESCRIPTION		REV BY ECN

LEFT HAND