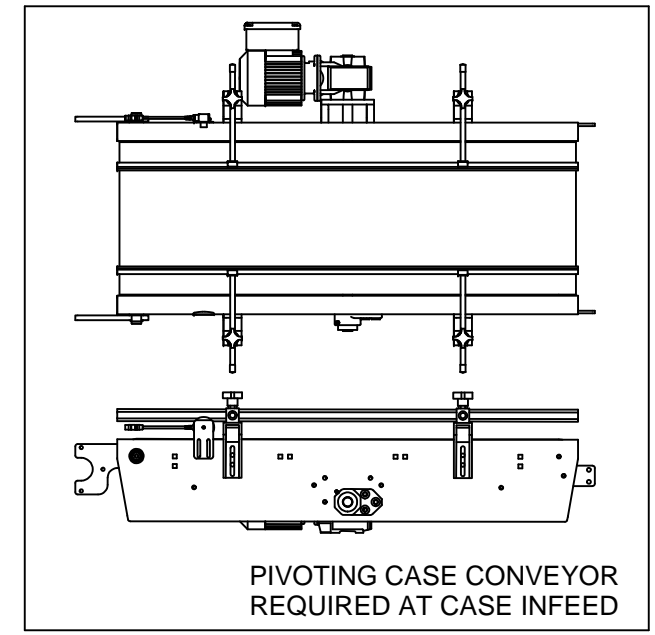


STANDARD RSC CASE SIZE RANGE
 LENGTH MIN. = 10 MAX. = 24
 WIDTH = 6 = 16
 HEIGHT = 4 = 12

ELECTRICAL : 460VAC, 3 PH, 60 HZ, 30 AMP FUSED
 AIR : 1/2" AIR INLET, 2 CFM AT 80 PSI



TOLERANCE UNLESS NOTED		FALLAS AUTOMATION	
DECIMAL X.XX = ±0.010 X.XXX = ±0.005	PROJECT	SCALE	DRAWN BY WG DESIGNER WG
FRACTIONAL $\frac{X}{X} = \pm \frac{1}{32}$	TITLE G400 FOOTPRINT		SHEET NO. 1 of 1
ANGULAR ±0.5°	DATE 04/19/12	DRAWING NUMBER FP-G400	REV BY ECN
REV	REV DESCRIPTION		REV BY ECN