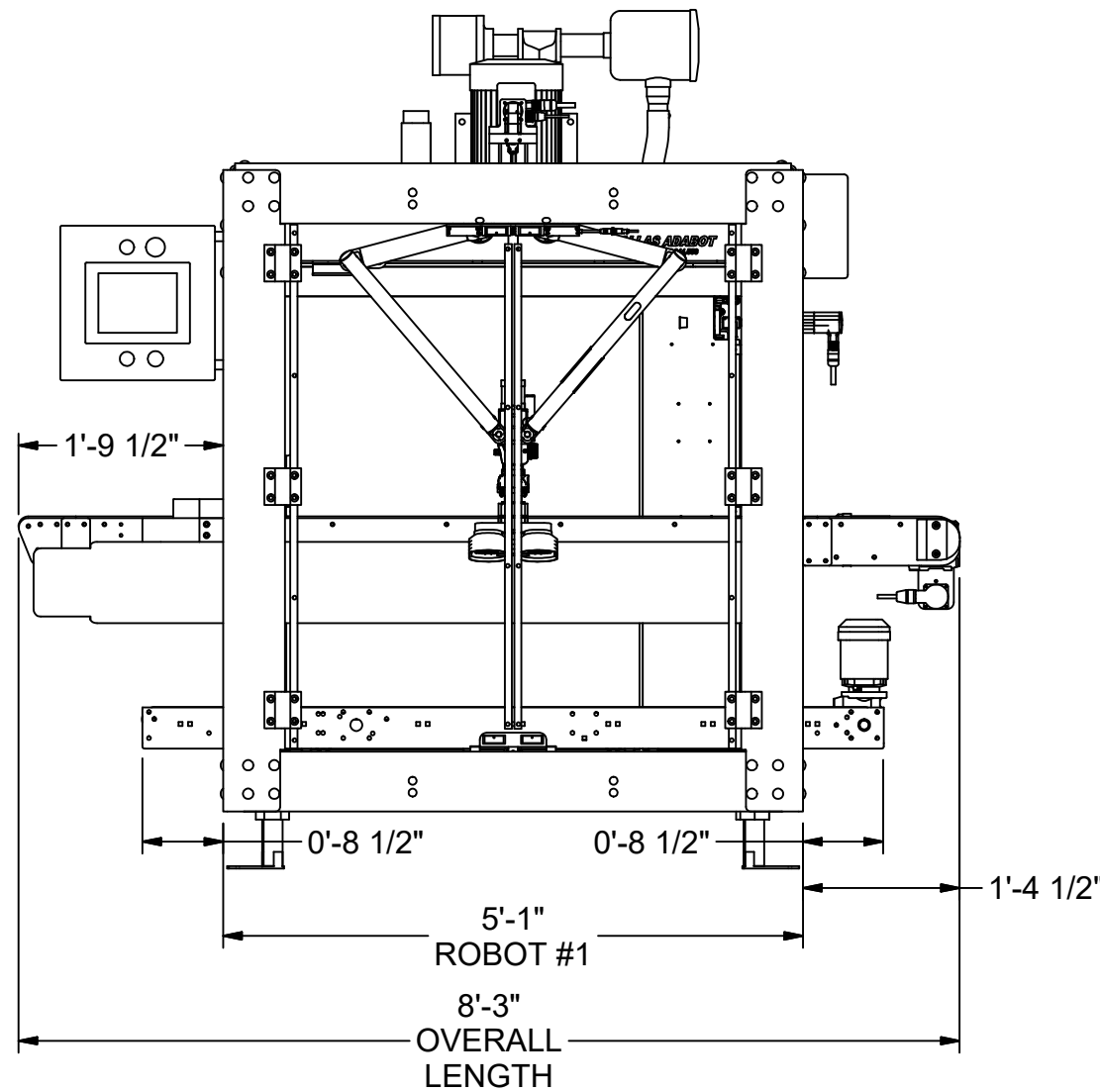
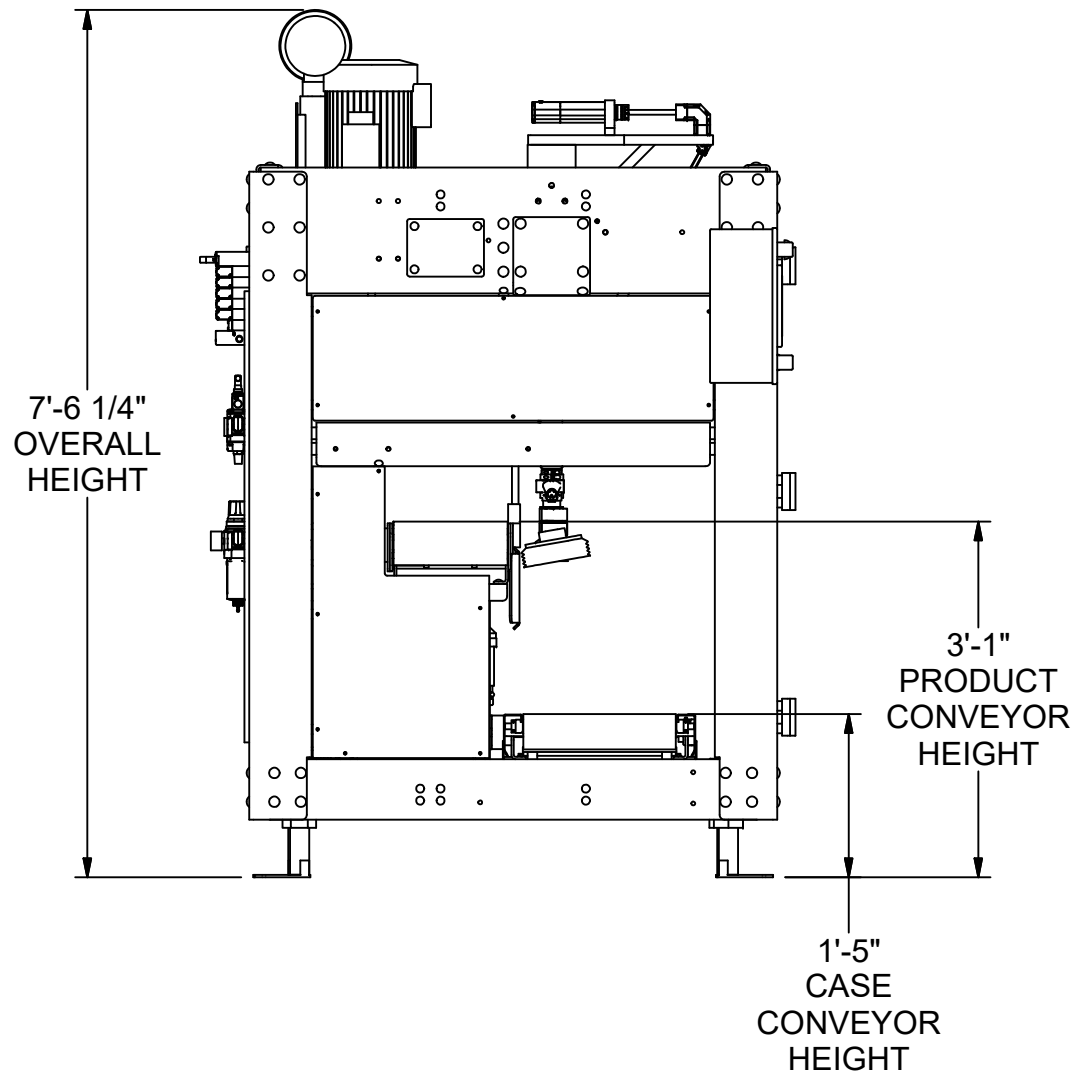
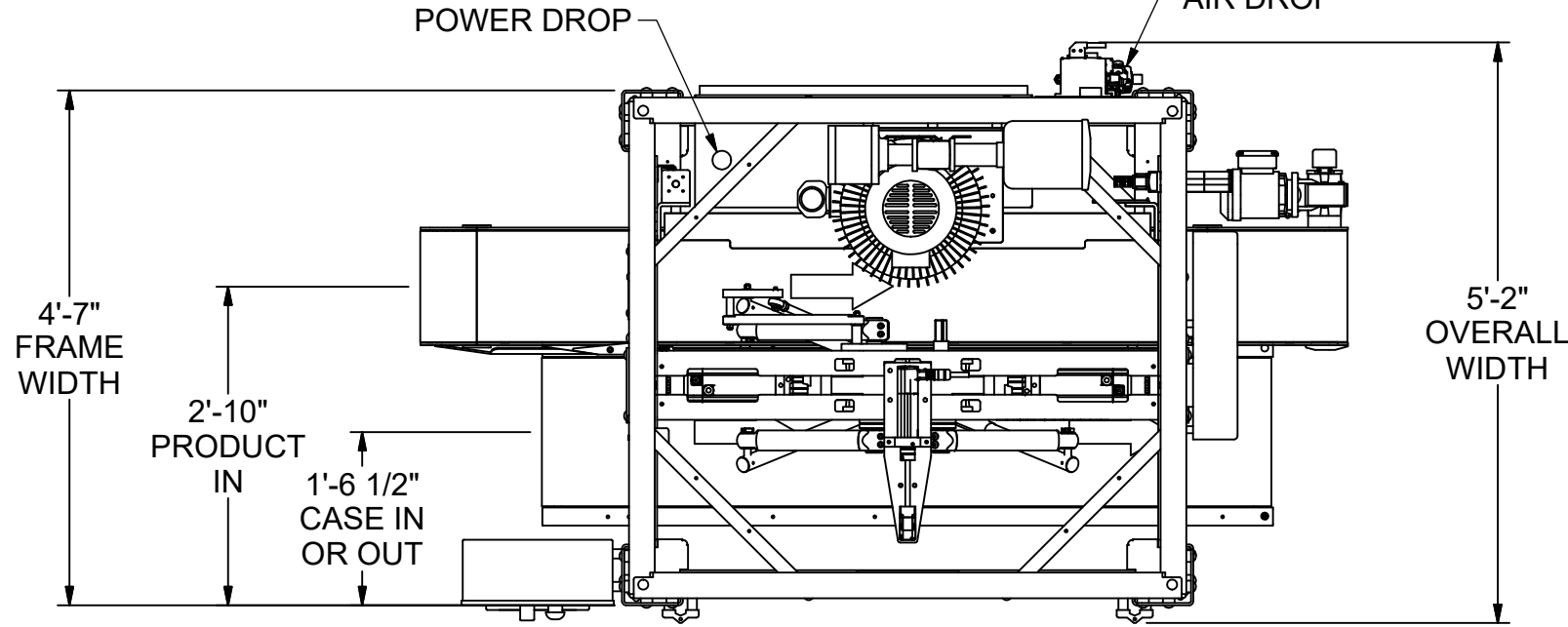


POWER REQUIRED:
480 VAC, 3PH, 60Hz
FUDED @ 30 AMPS

AIR REQUIRED:
5 CFM @ 80 PSI

SPEEDS:
70 PICKS PER MINUTE
DEPENDING ON WEIGHT.
HIGHER SPEEDS POSSIBLE,
CONSULT ENGINEERING.

CASES AND PRODUCT CAN ENTER
FROM EITHER DIRECTION.



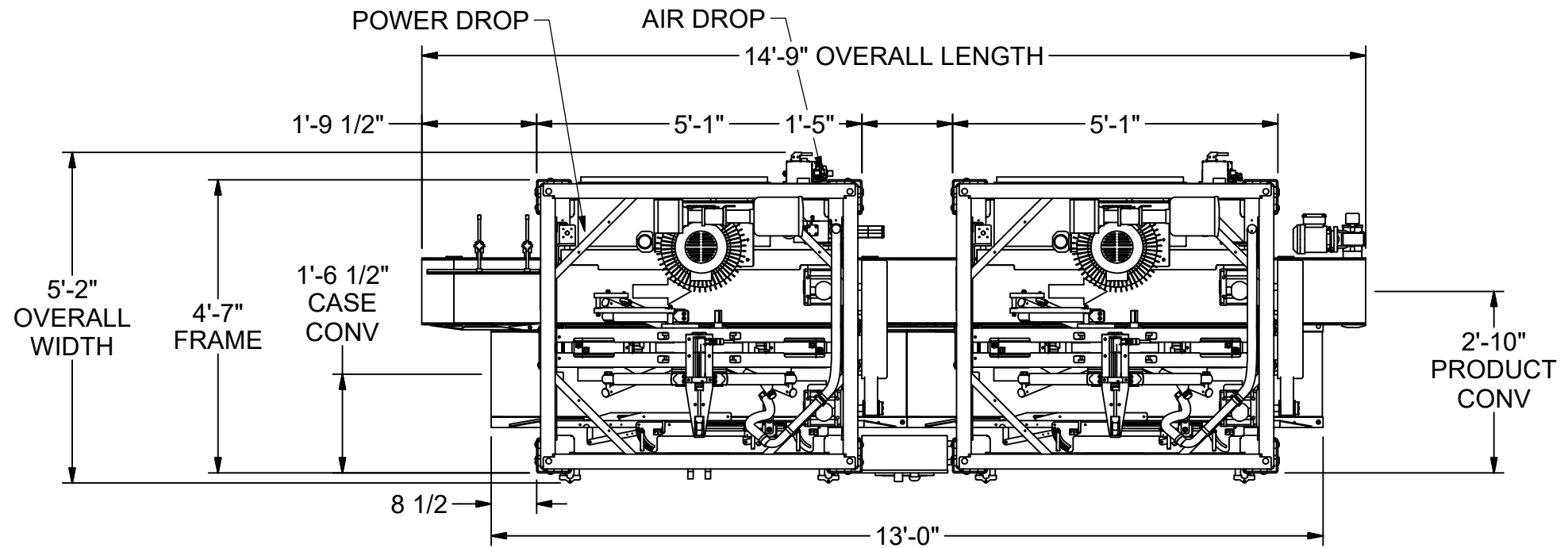
TOLERANCE UNLESS NOTED		FALLAS AUTOMATION	
DECIMAL X.XX = ±0.010 X.XXX = ±0.005	PROJECT	SCALE .08	DRAWN BY JR DESIGNER JR
FRACTIONAL $\frac{X}{X} = \pm \frac{1}{32}$	TITLE R700 OVERAL ASSY		
ANGULAR ±0.5°	DATE 3/30/2015	DRAWING NUMBER FP-R700-SINGLE	SHEET NO. 1 of 1
REV	REV DESCRIPTION		REV BY ECN

POWER REQUIRED:
480 VAC, 3PH, 60Hz
FUSED @ 35 AMPS

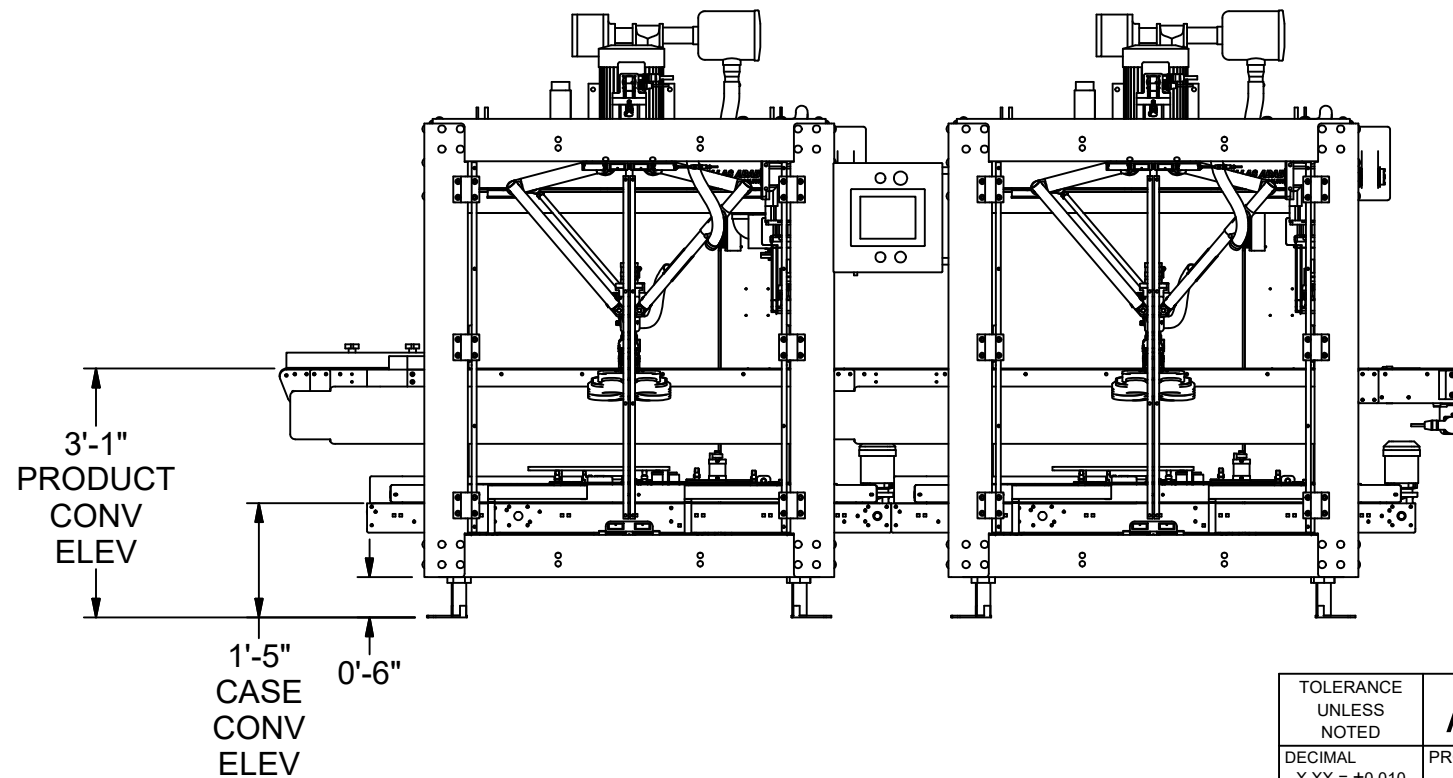
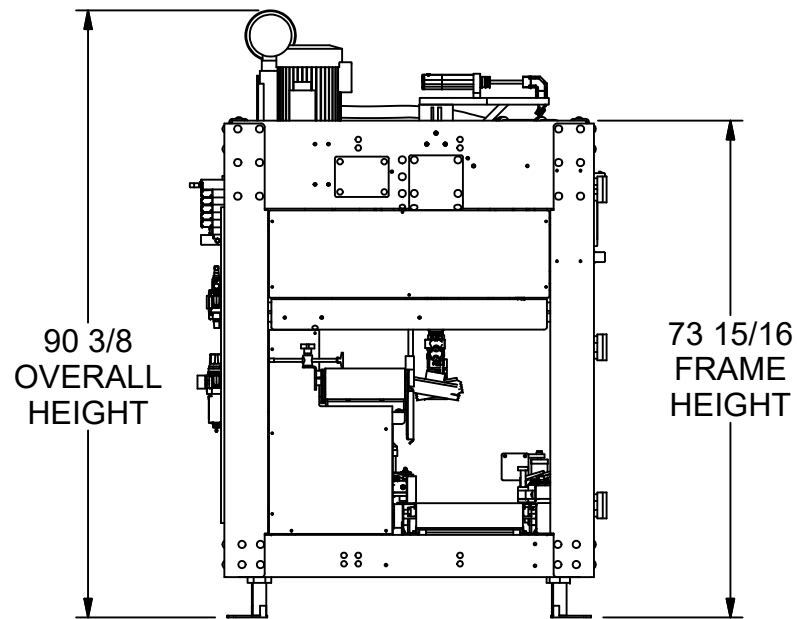
AIR REQUIRED:
7 CFM @ 80 PSI

SPEEDS:
140 PICKS PER MINUTE
DEPENDING ON WEIGHT.
HIGHER SPEEDS POSSIBLE,
CONSULT ENGINEERING.

CASES AND PRODUCT CAN ENTER
FROM EITHER DIRECTION.



DIRECTION OF PRODUCT AND CASE FLOW →



TOLERANCE UNLESS NOTED		FALLAS AUTOMATION	
DECIMAL X.XX = ±0.010 X.XXX = ±0.005	PROJECT	SCALE .1	DRAWN BY A LEWIS DESIGNER A LEWIS
FRACTIONAL $\frac{X}{X} = \pm \frac{1}{32}$	TITLE STD R700 TWIN ADABOT		
ANGULAR ±0.5°	DATE 1/15/2016	DRAWING NUMBER FP-R700-TWIN	SHEET NO. 1 of 1
REV	REV DESCRIPTION		REV BY ECN